

SCENIUS UNICO


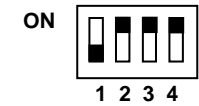



SPARE PARTS FINDER

This document contents help finding the spare parts numbers more frequently needed and includes useful information on them.

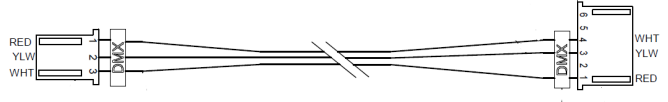
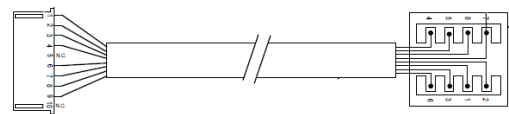
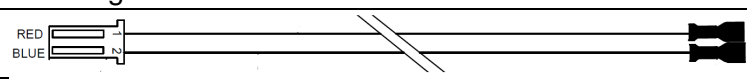
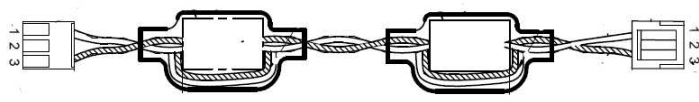
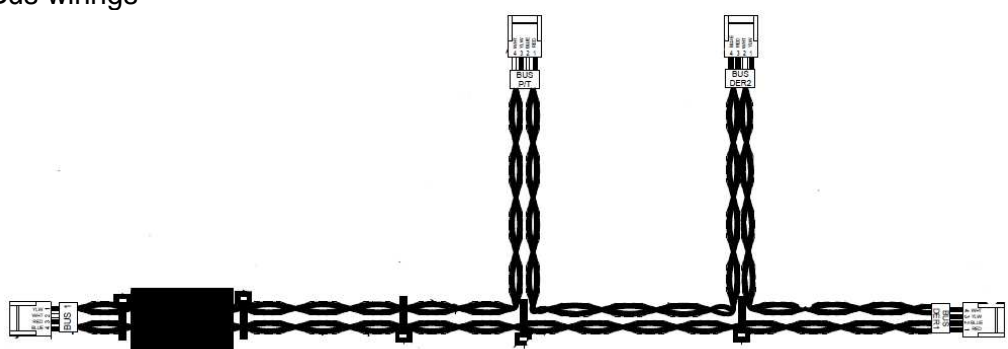
INDEX

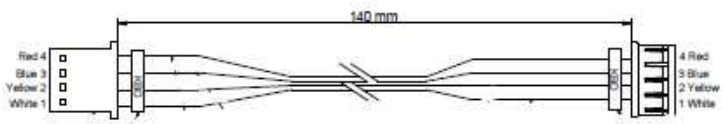
1.	ELECTRONIC BOARDS.....	2
2.	WIRING HARNESSES	3
3.	FANS	5
4.	ROTATING GOBO WHEEL.....	6
5.	ANIMATION DISC	7
6.	COLOR WHEEL	8
7.	CMY and CTO FILTERS.....	9
8.	DIMMER BLADES	10
9.	HALL SENSORS	11
10.	MOTORS	12
11.	SPARE PARTS LIST	13

1. ELECTRONIC BOARDS

BOARD		FUSE		DIP SWITCH SETTINGS	FUNCTION	
Name ----- part number	User menu Identification	electric rate	dimensions [mm]		DRIVER	EFFECTS
CPU ----- 699188	CPU brd	-	-	-	CPU	
Display ----- DIP001/001	- ----- base	-	-	-	User Interface Display	
CP0101 ----- 699175	O: PT-3f ----- yoke	8AT	2x7	ON 	1 2	Pan Tilt
CP0108 with heatsink ----- 298011/801	1: 8-Ch	8AT	2x7	ON 	1 2 3 4 5 6 7 8	Focus - Light Frost Prism Insertion Prism Rotation - Zoom Heavy Frost
CP0108 with heatsink ----- 298011/801	2: 8-Ch	8AT	2x7	ON 	1 2 3 4 5 6 7 8	Cyan Magenta Yellow CTO Stopper / Strobe Dimmer 1 Dimmer 2 -
CP0108 with heatsink ----- 298011/801	3: 8-Ch	8AT	2x7	ON 	1 2 3 4 5 6 7 8	Colour Wheel Rotating Gobo 1 Change Rotating Gobo 1 Rotation Iris Framing rotation Frost Animation Disc rotation Animation Disc Insertion
CP0108 with heatsink ----- 309011/801	4: 8-Ch	8AT	2x7	ON 	1 2 3 4 5 6 7 8	Up blade 1 Up blade 2 Down blade 1 Down blade 2 Right blade 1 Right blade 2 Left blade 1 Left Blade 2

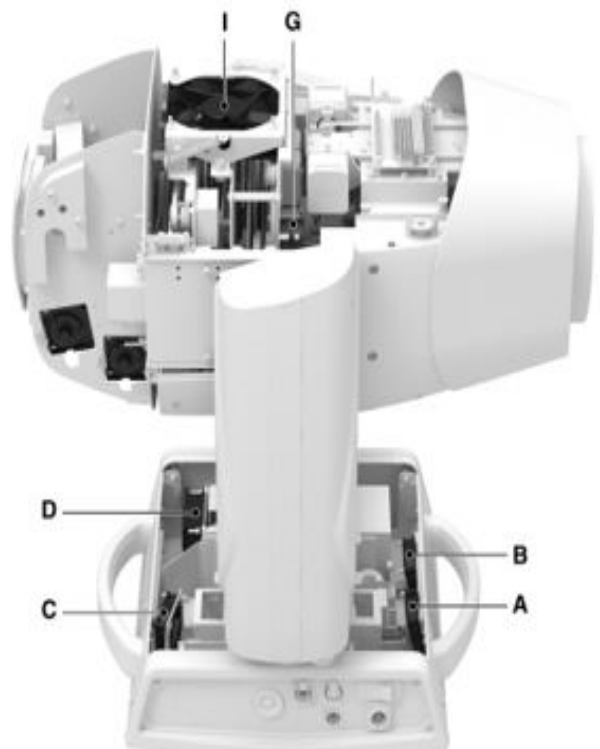
2. WIRING HARNESSSES

Part Number	Description	Quantity
650202/019	KIT wiring Ballast to Ignitor- (Set of two cables)	1
CAB037/801	DMX wirings 	1
CAB056/801	Ethernet wirings 	1
CAB030/801	Powercon connection wirings	1
CAB050/801	Battery wirings 	1
CAB035/801	PSU to lamp PSU wirinas 	1
CAB06E/801	Derivation Board wirings	1
CAB07I/801	Motors wirings (Focus, Zoom, Frost, Prism)	1
CAB06G/801	Board wirings (Blades, Iris)	1
CAB05D/801	Board wirings (Cyan, Magenta, Yellow, CTO, Fan IN, Fan OUT, Lamp thermostat)	1
CAB05E/801	Motor wirings (Cyan, Magenta, Yellow, CTO, Fan IN, Fan OUT, Lamp thermostat)	1
CAB073/801	Motors wirings (Blades, Iris)	1
CAB07H/801	Board wirings (Rotating Gobo, Strobe, Color, Animation Disc, Frost, Framing rotation)	1
CAB06H/801	Dimmer wirings	1
CAB05V/801	Fan 1 lamp, Vcc, Bus 6 wirings (Male D-connector)	1
CAB06C/801	Bus distribution wirings	1
CAB06D/801	Bus wirings 	1

Part Number	Serial number reference	Description	Quantity																																																																		
650085/001 CAB0BZ/801	< AH008210 ≥ AH008210	Key board Interface wiring (from CPU to user button board) 	1																																																																		
CAB033/801 CAB0BF/801	< AH008210 ≥ AH008210	Pan/Tilt wiring <table border="1" style="width: 100%; border-collapse: collapse;"> <thead> <tr> <th>TYPE</th> <th>EFFECT</th> <th>CUT LENGHT (mm)</th> <th>MARK</th> </tr> </thead> <tbody> <tr> <td>A</td> <td>PAN MOVEMENT</td> <td>130</td> <td>PAN</td> </tr> <tr> <td>B</td> <td>TILT MOVEMENT</td> <td>460</td> <td>TILT</td> </tr> <tr> <td>C</td> <td>PAN ENCODER</td> <td>280</td> <td>EN.PAN</td> </tr> <tr> <td>D</td> <td>TILT ENCODER</td> <td>690</td> <td>EN.TILT.</td> </tr> <tr> <td>E</td> <td>TILT SENSOR</td> <td>890</td> <td>SENS.TILT</td> </tr> </tbody> </table>	TYPE	EFFECT	CUT LENGHT (mm)	MARK	A	PAN MOVEMENT	130	PAN	B	TILT MOVEMENT	460	TILT	C	PAN ENCODER	280	EN.PAN	D	TILT ENCODER	690	EN.TILT.	E	TILT SENSOR	890	SENS.TILT	1																																										
TYPE	EFFECT	CUT LENGHT (mm)	MARK																																																																		
A	PAN MOVEMENT	130	PAN																																																																		
B	TILT MOVEMENT	460	TILT																																																																		
C	PAN ENCODER	280	EN.PAN																																																																		
D	TILT ENCODER	690	EN.TILT.																																																																		
E	TILT SENSOR	890	SENS.TILT																																																																		
CAB06I/801 CAB0BH/801	< AH008210 ≥ AH008210	Motors wirings (Framing rotation, Fan, Sensor) <table border="1" style="width: 100%; border-collapse: collapse;"> <thead> <tr> <th>TYPE</th> <th>EFFECT</th> <th>LENGTH (mm)</th> <th>MARK</th> </tr> </thead> <tbody> <tr> <td>J</td> <td>ROT SAG</td> <td>190</td> <td>ROT SAG</td> </tr> <tr> <td>O</td> <td>SENS ROT SAG</td> <td>230</td> <td>SENS ROT</td> </tr> <tr> <td>P</td> <td>FAN SAG</td> <td>330</td> <td>FAN</td> </tr> <tr> <td>Q</td> <td>FAN SAG</td> <td>330</td> <td>FAN</td> </tr> </tbody> </table>	TYPE	EFFECT	LENGTH (mm)	MARK	J	ROT SAG	190	ROT SAG	O	SENS ROT SAG	230	SENS ROT	P	FAN SAG	330	FAN	Q	FAN SAG	330	FAN	1																																														
TYPE	EFFECT	LENGTH (mm)	MARK																																																																		
J	ROT SAG	190	ROT SAG																																																																		
O	SENS ROT SAG	230	SENS ROT																																																																		
P	FAN SAG	330	FAN																																																																		
Q	FAN SAG	330	FAN																																																																		
CAB07G/801 CAB0BM/801	< AH008210 ≥ AH008210	Motor wirings (Animation Disc, Strobe, Color, Rotating Gobo, Frost) <table border="1" style="width: 100%; border-collapse: collapse;"> <thead> <tr> <th>TYPE</th> <th>EFFECT</th> <th>L (mm)</th> <th>L1 (mm)</th> <th>L2 (mm)</th> <th>MARK</th> </tr> </thead> <tbody> <tr> <td>A</td> <td>ANIM ROT</td> <td>210</td> <td></td> <td></td> <td>ANIM ROT</td> </tr> <tr> <td>B</td> <td>STROBO</td> <td>320</td> <td>380</td> <td>120</td> <td>STROBO</td> </tr> <tr> <td>C</td> <td>COLOR WHEEL</td> <td>220</td> <td></td> <td></td> <td>COLOR</td> </tr> <tr> <td>D</td> <td>GOBO CHG</td> <td>300</td> <td></td> <td></td> <td>GOBO CH</td> </tr> <tr> <td>E</td> <td>ANIM INS</td> <td>280</td> <td></td> <td></td> <td>ANIM INS</td> </tr> <tr> <td>F</td> <td>SENS COLOR</td> <td>160</td> <td></td> <td></td> <td>SENS COLOR</td> </tr> <tr> <td>G</td> <td>SENS GOBO ROT</td> <td>140</td> <td></td> <td></td> <td>SEN GOBO ROT</td> </tr> <tr> <td>H</td> <td>SENS GOBO CHANGE</td> <td>90</td> <td></td> <td></td> <td>GOBO CH</td> </tr> <tr> <td>I</td> <td>ROTAZIONE GOBO</td> <td>160</td> <td></td> <td></td> <td>ROT GOBO</td> </tr> <tr> <td>J</td> <td>FROST DIMMER</td> <td>210</td> <td></td> <td></td> <td>FROST M6 SCH3</td> </tr> </tbody> </table>	TYPE	EFFECT	L (mm)	L1 (mm)	L2 (mm)	MARK	A	ANIM ROT	210			ANIM ROT	B	STROBO	320	380	120	STROBO	C	COLOR WHEEL	220			COLOR	D	GOBO CHG	300			GOBO CH	E	ANIM INS	280			ANIM INS	F	SENS COLOR	160			SENS COLOR	G	SENS GOBO ROT	140			SEN GOBO ROT	H	SENS GOBO CHANGE	90			GOBO CH	I	ROTAZIONE GOBO	160			ROT GOBO	J	FROST DIMMER	210			FROST M6 SCH3	1
TYPE	EFFECT	L (mm)	L1 (mm)	L2 (mm)	MARK																																																																
A	ANIM ROT	210			ANIM ROT																																																																
B	STROBO	320	380	120	STROBO																																																																
C	COLOR WHEEL	220			COLOR																																																																
D	GOBO CHG	300			GOBO CH																																																																
E	ANIM INS	280			ANIM INS																																																																
F	SENS COLOR	160			SENS COLOR																																																																
G	SENS GOBO ROT	140			SEN GOBO ROT																																																																
H	SENS GOBO CHANGE	90			GOBO CH																																																																
I	ROTAZIONE GOBO	160			ROT GOBO																																																																
J	FROST DIMMER	210			FROST M6 SCH3																																																																
CAB05S/801 CAB0BG/801	< AH008210 ≥ AH008210	Base wiring harness	1																																																																		

3. FANS

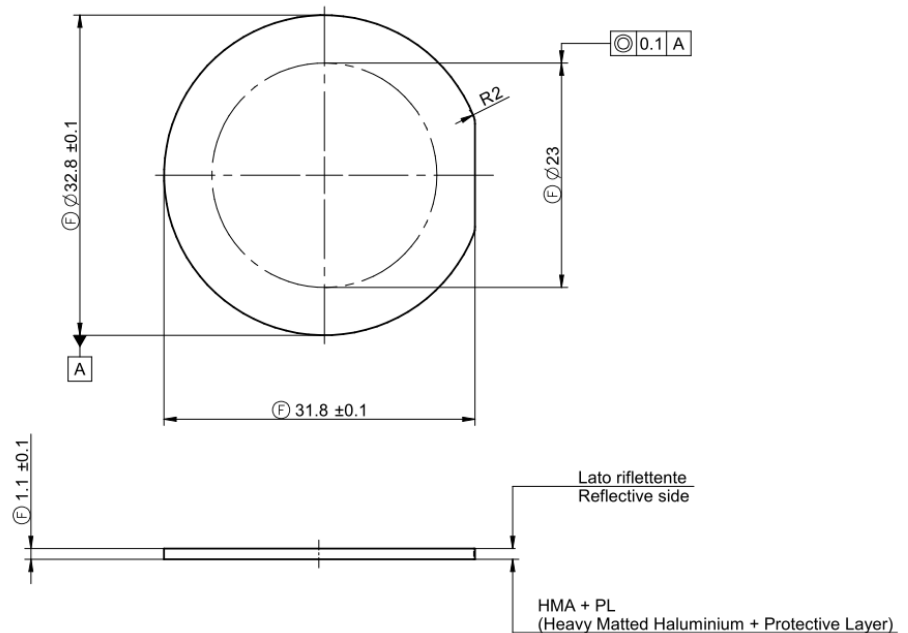
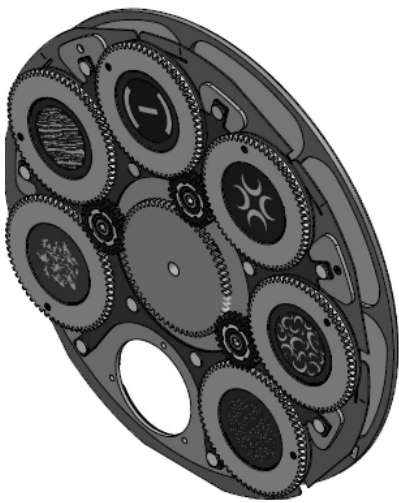
Part Number	Description	V	W	Air Flow	Q.ty	Fan alert	Position
283051/801	Papst 614F	24 DC	1.1	OUTLET (PSU)	1	PwrSp MBb: Fan Stop	Base (A)
283051/802	Papst 614F	24 DC	1.1	OUTLET (Ballast)	1	BalOt MBC: Fan Stop	Base (B)
283051/803	Papst 614F	24 DC	1.1	INLET to PSU	1	PwrSp MBd: Fan Stop	Base (C)
283054/801	Papst 8414NM	24 DC	1.4	INLET to Ballast	1	Balln MBa: Fan Stop	Base (D)
283050/803	Papst QG030	24 DC	6.2	INLET to Lamp	1	Lamp B1a: Fan Stop	Head (E)
283050/803	Papst QG030	24 DC	6.2	INLET to Lamp	1	Lamp B4a: Fan Stop	Head (F)
286080/801	Nidec EO525H24B7AZ-00	24 DC	-	INLET to Effects	1	Blades B3b: Fan Stop	Head (G)
237078/801	Nidec EO525H24B7AZ-00	24 DC	-	INLET to Effects	1	Blades B3a: Fan Stop	Head (H)
235081/801	Papst 4414FL	24 DC	1.2W	OUTLET (Effects)	1	EffOt B2b: Fan Stop	Head (I)
235081/801	Papst 4414FL	24 DC	1.2W	INLET to Effects	1	EffIn B2a: Fan Stop	Head (L)



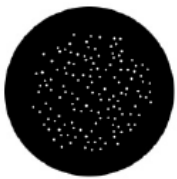
|

4. ROTATING GOBO WHEEL

- Complete wheel part number: **322075/801**



Rotating Gobos $\varnothing 32,8 \text{ mm}$



GOD00E-001
(Small Dots)

image: $\varnothing 23 \text{ mm}$

pos. 1



GOD00E-002
(Plumens)

image: $\varnothing 23 \text{ mm}$

pos. 2



GOD00E-017
(Multiple Moons)

image: $\varnothing 23 \text{ mm}$

pos. 3



GOD00E-010
(Half Circle)

image: $\varnothing 23 \text{ mm}$

pos. 4



GOD00E-005
(Oak Tree)

image: $\varnothing 23 \text{ mm}$

pos. 5



GOD00E-018
(Dappled Leaves)

image: $\varnothing 23 \text{ mm}$

pos. 6

MOL00A/001

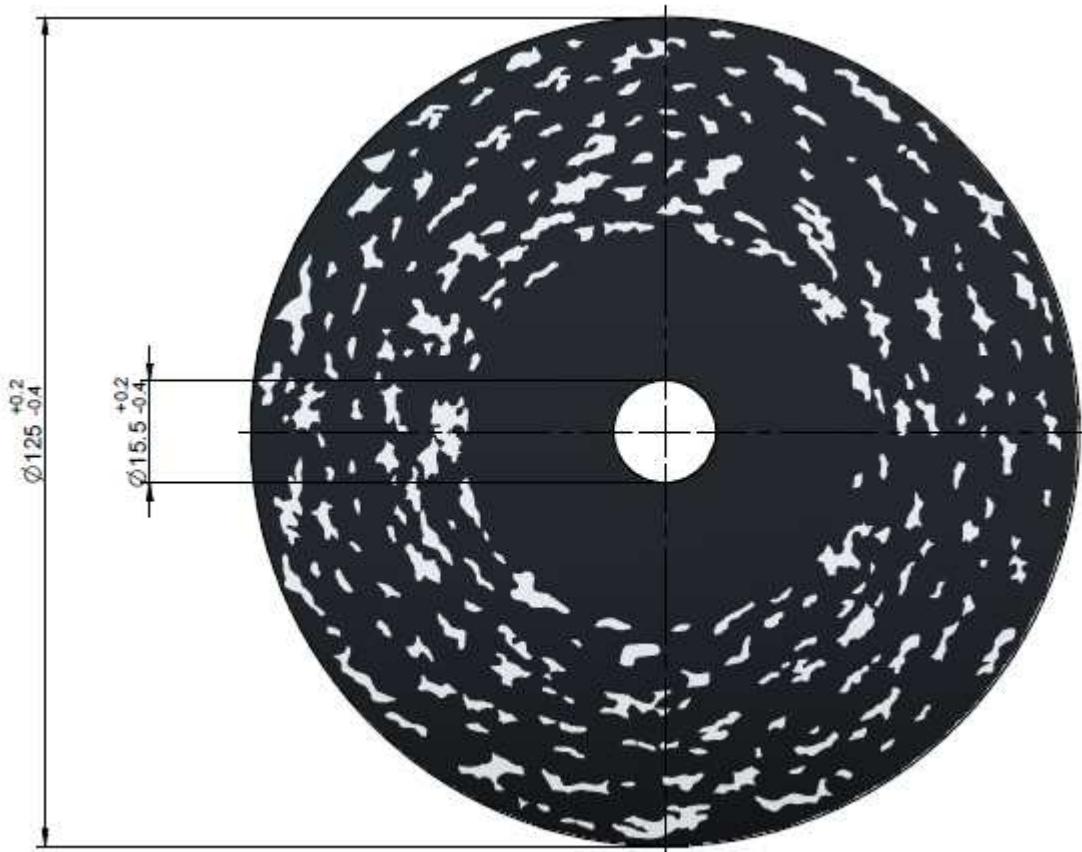
Spring for Dichroic Gobo

ING027/801

Gobo holder

5. ANIMATION DISC

- Complete Animation Disc, part number **322211/801**

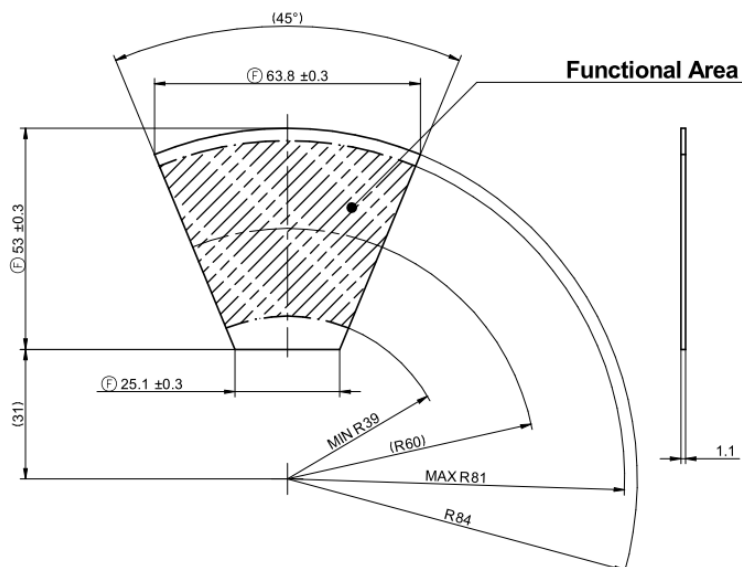


6. COLOR WHEEL

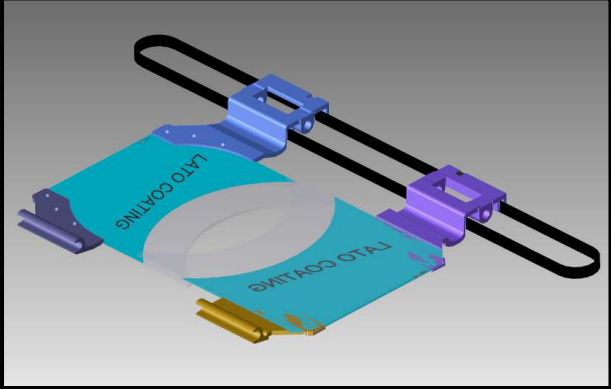
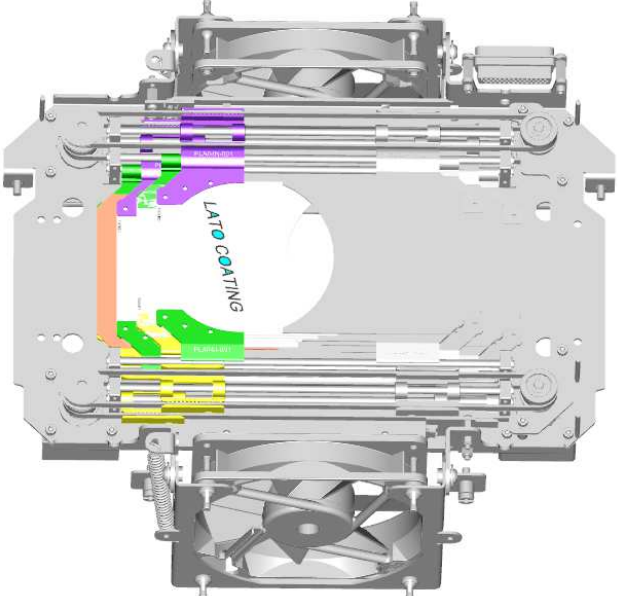
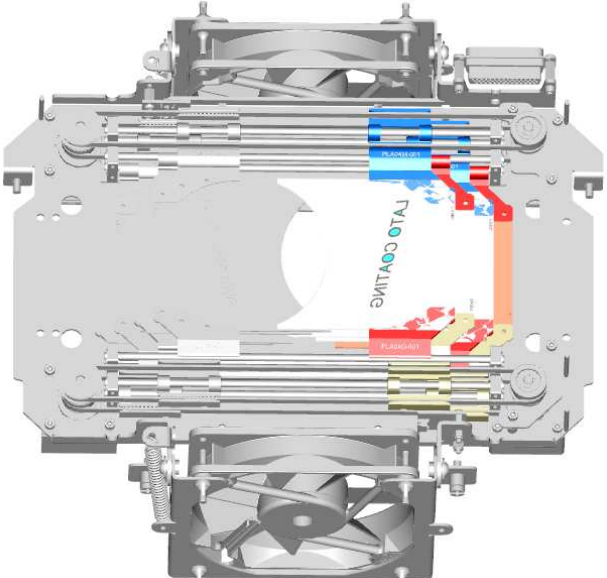


286087/802

ref. N.	Part Number	Description
----	286087/802	Colour wheel assembly
1	FIC004/007	Dichroic filter DARK RED
2	FIC004/004	Dichroic filter BRILLIANT BLUE
3	FIC004/005	Dichroic filter GREEN
4	FIC004/006	Dichroic filter HALF MINUS GREEN
5	FIC004/003	Dichroic filter LIGHT ORANGE
6	FIC004/002	Dichroic filter DARK ORANGE
7	FIC004/001	Dichroic filter NAVY BLUE

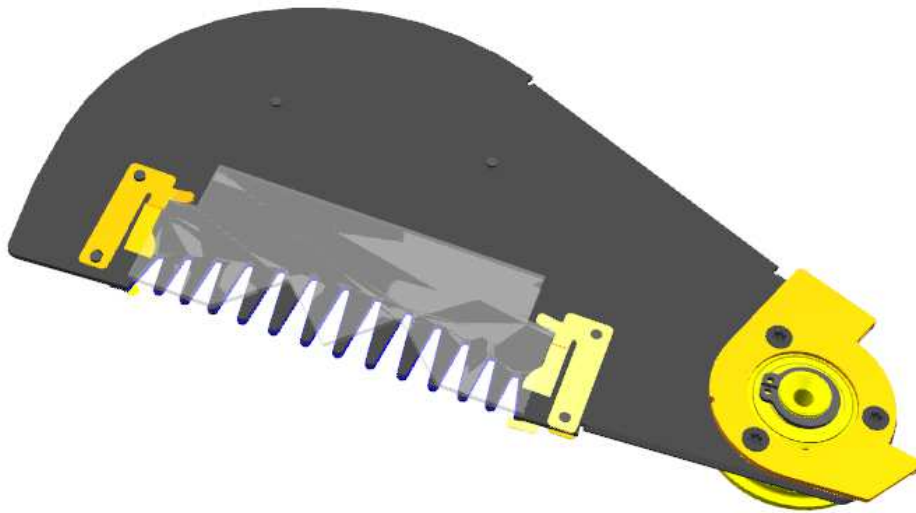


7. CMY AND CTO FILTERS

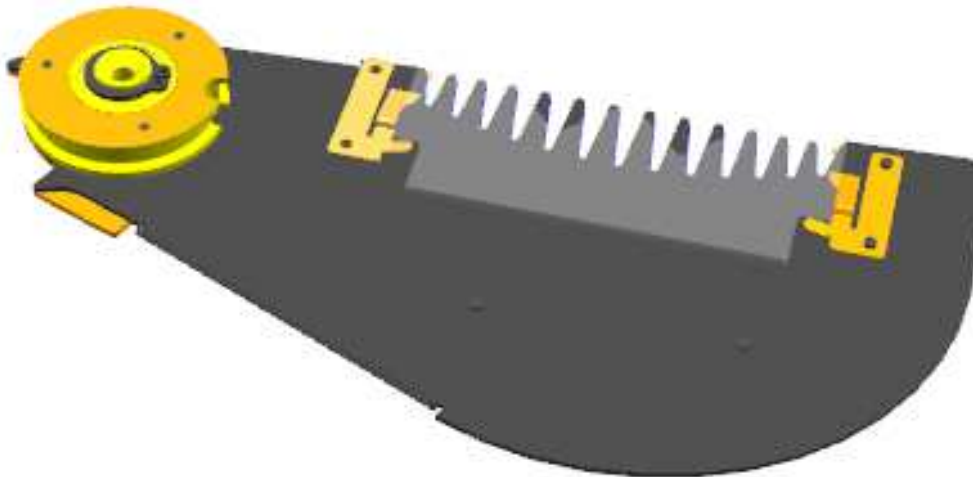
Part Number/ Description	Image
<p>322470/801 - Complete Cyan assembly 322470/802 - Complete Magenta assembly 322470/803 - Complete Yellow assembly 322470/804 - Complete CTO assembly</p> <p>Note: Belt is included in this assembly (CID01G/001)</p>	
<p>322473/808 - Cyan single filter assembly 322473/806 - Magenta single filter assembly 322473/804 - Yellow single filter assembly 322473/802 - CTO single filter assembly</p>	
<p>322473/807 - Cyan single filter assembly 322473/805 - Magenta single filter assembly 322473/803 - Yellow single filter assembly 322473/801 - CTO single filter assembly</p>	

8. DIMMER BLADES

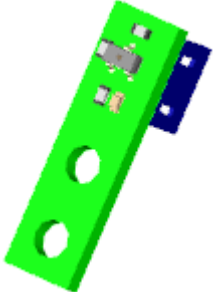
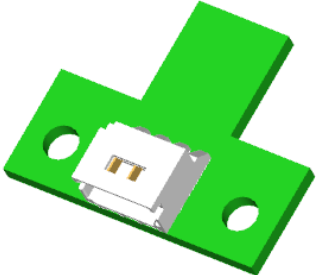
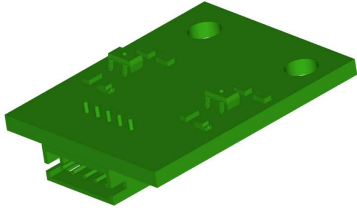
322404R802 UPPER DIMMER BLADE



322404R801 LOWER DIMMER BLADE



9. HALL SENSORS

Part Number	Q.ty	Position	Image
SCH02J	5	Focus, Zoom, Prism, Tilt, Gobo Rotation	
699177 <AH008210 SCH060 ≥AH008210	3	Colour Wheel, Rotating Gobo change, Framing Rotation	
SCH030	2	CMY Module	

10. MOTORS

Effect	Quantity	Part Number	Shaft info
Cyan	1	MOP01V	Single shaft, 26 mm long
Magenta	1	MOP01V	Single shaft, 26 mm long
Yellow	1	MOP01T	Single shaft, 10 mm long
CTO	1	MOP01T	Single shaft, 10 mm long
Blade UP1	1	MOP01Q	Single shaft, 12 mm long
Blade UP2	1	MOP01Q	Single shaft, 12 mm long
Blade DW1	1	MOP01N	Single shaft, 11 mm long
Blade DW2	1	MOP01N	Single shaft, 11 mm long
Blade RG1	1	MOP01N	Single shaft, 11 mm long
Blade RG2	1	MOP01N	Single shaft, 11 mm long
Blade LF1	1	MOP01N	Single shaft, 11 mm long
Blade LF2	1	MOP01N	Single shaft, 11 mm long
Framing rotation	1	MOP01P	Single shaft, 20 mm long
Iris	1	MOP01P	Single shaft, 20 mm long
Rotating gobo change	1	MOP017	Single shaft, 16.5 mm long
Gobo rotation	1	MOP023	Single shaft, 40 mm long
Uniform frost filter	1	MOP027	Single shaft, 12 mm long
Colour wheel	1	MOP01U	Single shaft, 16.5mm long
Animation Disk insertion	1	MOP01U	Single shaft, 16 mm long
Animation Disk rotation	1	MOP022	Single shaft, 35 mm long
Strobe	2	MOP027	Single shaft, 12 mm long
Light Frost	1	MOP01U	Single shaft, 16.5mm long
Heavy Frost	1	MOP01T	Single shaft, 10 mm long
Prism Insertion	1	MOP028	Double shaft, 12 mm and 10 mm long
Prism rotation	1	MOP025	Single shaft, 17 mm long
Focus	1	031956	Single shaft, 24 mm long
Zoom	1	031956	Single shaft, 24 mm long
Dimmer	2	031956	Single shaft, 24 mm long
Pan	1	MOP00I	3Phase - single shaft, 24 mm long
Tilt	1	MOP00I	3Phase - single shaft, 24 mm long

11. SPARE PARTS LIST

Part Number	Description	Quantity per fixture
EFFECTS & MORE		
LAM00I	Lamp OSRAM Lok-it 1400-PS	1
286087/802	Colour wheel	1
081714/001	Elliptic reflector Flat	1
283123/801	Lamp Holder PGJX36 (Bender & Wirth) Wire 560mm	1
286055/801	Strobe blade - 1	1
286055/802	Strobe blade - 2	1
322470/804	CTO complete mixing blades assembly	1
322470/803	Yellow complete mixing blades assembly	1
322470/802	Magenta complete mixing blades assembly	1
322470/801	Cyan complete mixing blades assembly	1
286205/802	Iris	1
322040/801	Frost blade assembly	1
322037/801	Frost blade assembly	1
322084/801	Diffuser blade assembly	1
322093/801	Front lens assembly	1
322094/801	Zoom lens assembly	1
285095/801	Focus lens assembly	1
285020/801	Prism assembly	1
322404R801	Dimmer blade assembly - 1	1
322404R802	Dimmer blade assembly - 2	1
285310/801	080343/101 IR-UV cut filter with holder	1
ELECTRICAL COMPONENTS		
030346/001	Mains switch 12A	1
CON00N	PowerCon TRUE1 connector, for panel mount	1
031877	EMI Filter 13A	1
283220/801	(ALI011+ist holder) 28V DC / 400 V DC PSU, Schiederwerk (SMPS)	1
ACC004	Cold start ignitor KZG 20-5 (32 572 1020)	1
283321/801	(ALI00W + its holder + fan) Electronic lamp power supply Schiederwerk (ELD 8-120_32 563 1200)	1
030374	Thermal cut-out 140° C	1
650080/002	Thermal cut-out 110°C with connector	1
BAT008/801	Battery 6V Ni-MH	1
283081/002	Battery holder	1

Part Number	Description	Quantity per fixture
ELECTRONIC BOARDS		
DIP001/001	LCD Graphic Display	1
699188	CPU electronic board	1
699214 < AH008210 SCH061 ≥ AH008210	RS232 deviator Board (plugs into the CPU RS232 slot)	1
699178 < AH008210 SCH062 ≥ AH008210	5 buttons user interface board	1
298011/801	8-Motors driver board (CP0108-5) with heatsink	3
309011/801	8-Motors driver board (CP0108-5) with heatsink - blades	1
SCH02P	Power distribution board	1
SCH02B	DMX 5 pins board	1
699175	P&T electronic board	1
699177 < AH008210 SCH060 ≥ AH008210	Hall sensor board	3
SCH02J	Hall sensor board	5
SCH030	2x Hall sensor board	2
SCH02Q < AH008210 SCH064 ≥ AH008210	Encoder Pan board	1
699224 < AH008210 SCH063 ≥ AH008210	Encoder Tilt board	1
SCH01R	Power and Bus distribution board	2
FANS		
283051/801	Fan: Papst 614F (031931) with connector, 24V 1.1W – base out	1
283051/802	Fan: Papst 614F (031931) with connector, 24V 1.1W – base out	1
283051/803	Fan: Papst 614F (031931) with connector, 24V 1.1W – base PSU	1
283054/801	Fan: Papst 8414NM (VAC003) with connector, 24V 1.4W – base driver	1
283050/803	Fan: Papst QG030 (VRC005) with connector, 24V 6.2W - lamp	2
286080/801	Fan: Nidec EO525H24B7AZ-00 (031968) with connector, 24V - effects	1
237078/801	Fan: Nidec EO525H24B7AZ-00 (031968) with connector, 24V - effects	1
235081/801	Fan: Papst 414FL (VAC00B) with connector, 24V 1W - effects	2
BELTS		
021761/001	Toothed Belt MXL 1280 019 (HSN-N40)	1
021772/001	Toothed Belt 0760 MXL 012 (HSN-N40)	1
CID01D	Toothed Belt HTD 0537-3M-15	1
CID018	Toothed Belt HTD 0804-3M-15	1
CID01M	Toothed Belt HTD 0681-3M	1
CID01P	Toothed Belt 1696 MXL 025	2
CID00K/001	Toothed Belt 0880 MXL 012	1
CID00Y/001	Toothed Belt 0944 MXL 012 (HSN-N40)	1
CID006/001	Toothed Belt 0680 MXL 012 (HSN-N40)	1
CID01G/001	Toothed Belt 2048 MXL 019	4

Part Number	Description	Quantity per fixture
WIRINGS		
650202/019	KIT wiring Ballast to Ignitor- (Set of two cables)	1
CAB035/801	PSU to lamp PSU wirings	1
CAB06C/801	Bus distribution wirings	1
CAB06D/801	Bus wirings	1
COVERS		
285021/801	Lamp compartment plastic cover	1
285014/801	Plastic yoke cover	1
285014/802	Plastic yoke cover with lever hole	1
ETI06B/001	Yoke sticker	2
285016/801	Plastic side cover	2
283015/803	Effects plastic cover	2
283014/801	Back plastic cover	1
322019/801	Front plastic cover	1
283169/801	Base carter	2
PLA01G/801	Base plastic cover	2
MAINTENANCE		
283132/001	Cooling filter	1
030619	Magnet Ø=4mm, H=5mm, 180°C	7
MAG002	Magnet 3x1mm H=3mm, 350°C	4
030685/001	Magnet Ø=3mm, H=3mm, 350°C	3
031761/001	Magnet Ø=3 H=2, 350°C	2
030681/001	Magnet Sm-Co Ø3 H=1.5, 350°C	1
MAG003	Magnet Ø=6 H=3	8
030649/001	Barrierta White grease – 10 gr	2
030691/001	Aluminum adhesive tape	20 cm